

## AC/DC Closed Loop Split Core Transducer SCT Series

The new SCT Series of split core current transducers use Closed Loop Hall Effect technology for accurate measurement of both AC and DC currents. The unique snap closed design allows easy connection around conductors making it ideal for retrofitting.



SPECIFICATION		
MODEL	UC 30A/3V	UC 300A/3V
Measuring Range	300A DC or AC <sub>PEAK</sub>	300A DC or AC <sub>PEAK</sub>
Overload Capacity	500A	
Output Sensitivity	100mV/A	10mV/A (w.r.t. 0V)
Output Zero Offset	± 10mV	
Basic Accuracy	± 1% of reading ± 5mA	
Conductor Position Sensitivity	± 0.5% relative to centre reading	
Linearity	±0.2%	
Resolution	± 1mA	
di/dt Response	20A / μs	
Load Impedance	> 10kΩ and ≤ 100 pF	
Frequency Range	DC to 100kHz (-3dB)	
Temperature Coefficient	± 0.02% of reading per °C	
Zero Drift with Temperature	1mV per °C Typical	0.1mV per °C Typical
External Field Rejection	500:1	
Power Supply	12V ± 5%, external	± 15V ± 10%, external
Current Consumption	25mA + 1mA/A measured	
Working Voltage	300V	
Maximum Conductor Size	25mm	
Output Connection	via 5 pin connector, Phoenix Contact MC 1,5/5-G-3,81	
Output Zero	Intended for external zero correction	
Operating Temperature Range	-20 to +65°C	
Storage Temperature Range	20 to +85°C	
Ingress Protection (Jaw closed)	IP 40	
Protection against mechanical impact (IEC 62262)	IK06	

All Accuracies Stated at: 23°C ± 1°C

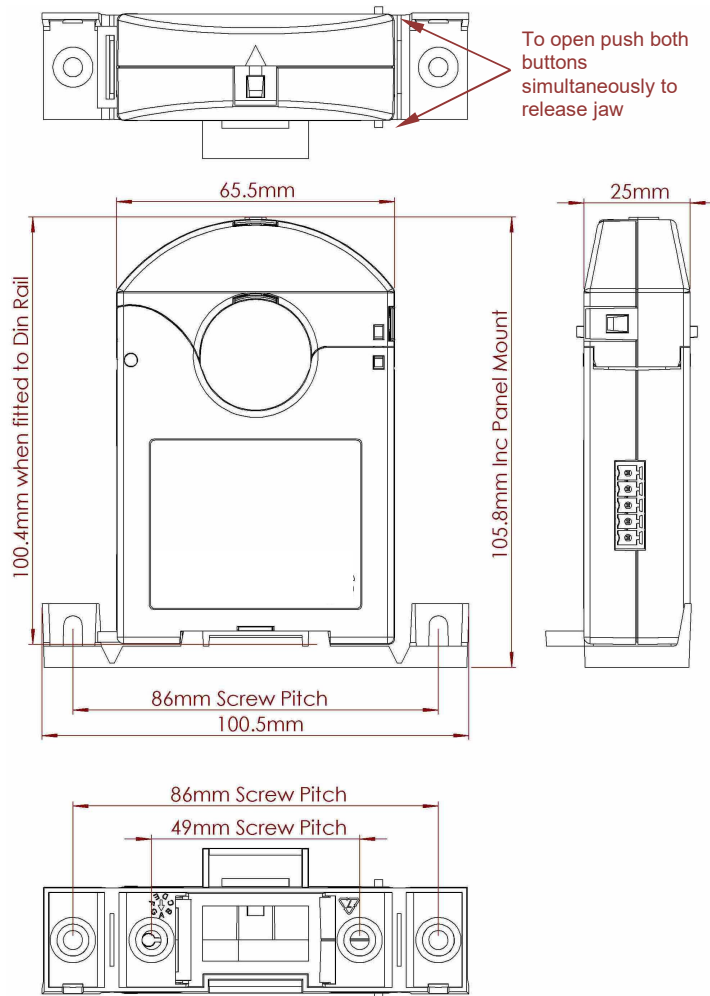
## Safety Standards

EN 61010-1  
EN 61010-2-032

300V RMS Measurement Category III  
Pollution Degree 2

## EMC Standard

EN 61326-1, For use in industrial locations



PIN No	Function	
	<i>UC 30A/3V</i>	<i>UC 300A/3V</i>
1	+ 12 V	+ 15 V
2	NC	- 15 V
3	0 V	0 V
4	Output +	Output +
5	Output -	Output -